

LEVEL COMPENSATORS

L10 series

Features and Strengths

Reliable and precise pick up position for differences in height on the surface of material
Configurations with varying sizes of spring and stroke



Specifications

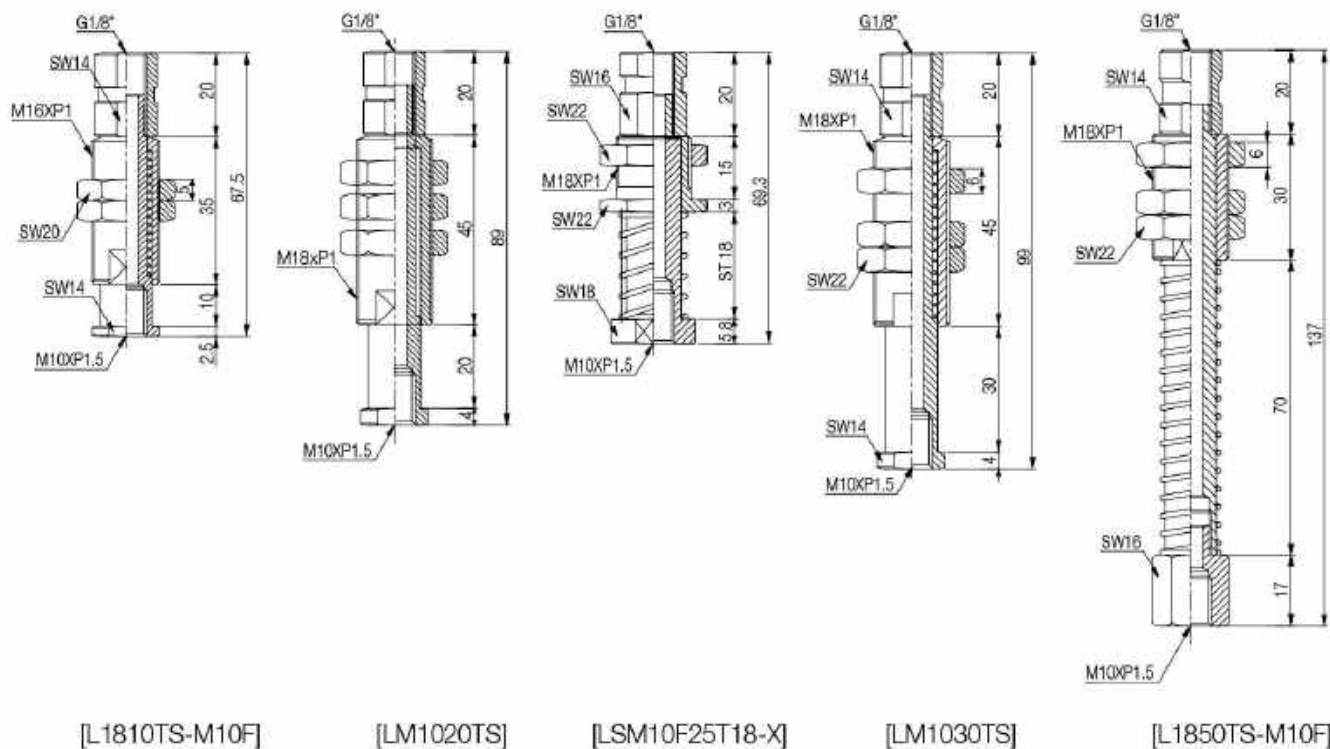
Model	Stroke (mm)	Weight (g)	Material
L1810TS - M10F	10	42.60	Al, SS, BS
LM1020TS	20	82.57	AL, SS, BS
LSM10F25T18-X	25	51.2	AL, SS, BS
LM1030TS	30	122	Al, SS, BS
L1850TS-M10F	50	163.3	Al, SS, BS

Build an Ordering No.

1. Level compensator	Description	Symbol
	Level compensator, 10mm stroke, Connection – Fitting M10 female	L1810TS - M10F
	Level compensator, 20mm stroke, Connection – Fitting M10 female	LM1020TS
	Level compensator, 25mm stroke, Connection – Fitting M10 female	LSM10F25T18-X
	Level compensator, 30mm stroke, Connection – Fitting M10 female	LM1030TS
	Level compensator, 50mm stroke, Connection – Fitting M10 female	L1850TS-M10F

Dimension

[Unit : mm]



LEVEL COMPENSATORS

L12 series

Features and Strengths

Reliable and precise pick up position for differences in height on the surface of material
Configurations with varying sizes of spring and stroke



Specifications

Model	Stroke (mm)	Weight (g)	Material
L1230	30	289	Al, SS, BS
L1230T	30	241	Al, SS, BS
L1250	50	350	Al, SS, BS
L1250T	50	156	Al, SS, BS
L1250LT	50	306	Al, SS, BS
L1280	80	185.59	Al, SS, BS
L1280-18F	80	175.20	Al, SS, BS
L1280-14F	80	193.42	Al, SS, BS

Build an Ordering No.

1. Level compensator	Description	Symbol
	Level compensator, 30mm stroke, Connection – Fitting G1/2" male	L1230
	Level compensator, 30mm stroke, Connection – Fitting G1/2" male	L1230T
	Level compensator, 50mm stroke, Connection – Fitting G1/2" male	L1250
	Level compensator, 50mm stroke, Connection – Fitting G1/2" male, G1/4" female	L1250T
	Level compensator, 50mm stroke, Connection – Fitting G1/2" male	L1250LT
	Level compensator, 80mm stroke, Connection – Fitting G1/2" male	L1280
	Level compensator, 80mm stroke, Connection – Fitting G1/2" male, G1/8" female	L1280-18F
	Level compensator, 80mm stroke, Connection – Fitting G1/2" male, G1/4" female	L1280-14F

LEVEL COMPENSATORS

L14 series

Features and Strengths

Reliable and precise pick up position for differences in height on the surface of material
Configurations with varying sizes of spring and stroke



Specifications

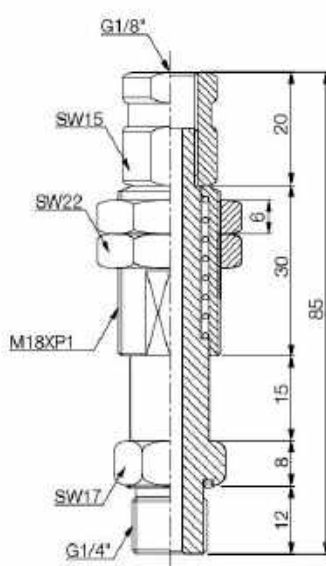
Model	Stroke (mm)	Weight (g)	Material
L1415T	15	66.33	Al, SS, BS
L1420T	20	45.05	Al, SS, BS
L1430LTS	30	100.75	Al, SS, BS

Build an Ordering No.

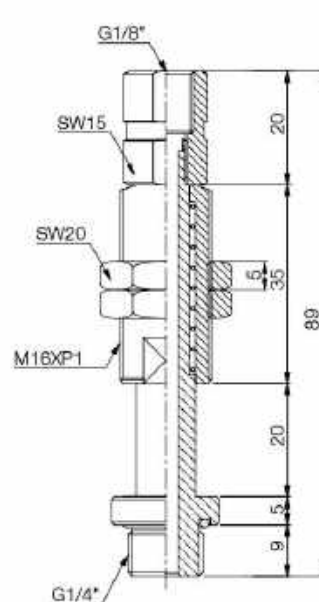
1. Level compensator	Description	Symbol
	Level compensator, 15mm stroke, Connection – Fitting G1/4" male	L1415T
	Level compensator, 20mm stroke, Connection – Fitting G1/4" male	L1420T
	Level compensator, 30mm stroke, Connection – Fitting G1/4" male	L1430LTS

Dimension

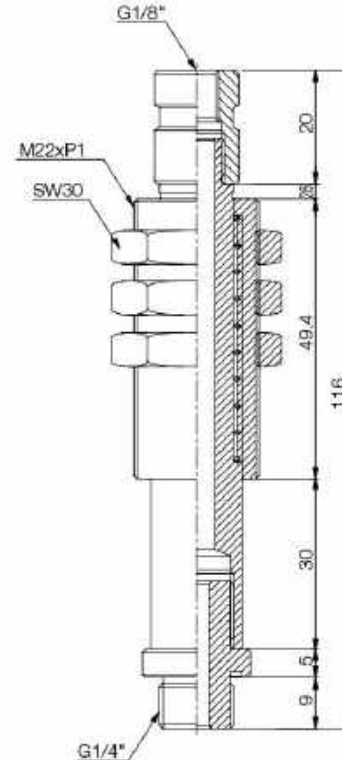
[Unit : mm]



[L1415T]



[L1420T]



[L1430LTS]

LEVEL COMPENSATORS

L18 series

Features and Strengths

Reliable and precise pick up position for differences in height on the surface of material
Configurations with varying sizes of spring and stroke



Specifications

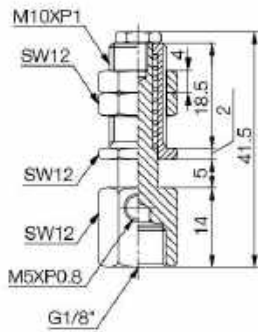
Model	Stroke (mm)	Weight (g)	Material	Model	Stroke (mm)	Weight (g)	Material
L1805F	5	24	Al, SS, BS	L1830	30	54	Al, SS, BS
L1805M	5	28		L1830T	30	60	
L1808W	8	16.1		L1830TS	30	130	
L1810T	10	44		L1850	50	105	
L1810TS	10	73		L1850T	50	66	
L1810TSE	10	93		L1850TS	50	89.79	
L1815	15	86		L1870TS	70	129.56	
L1815T	15	36		LBX1820T	20	152.18	
L1820T	20	56		LBX1830T	30	164.81	
L1820TS	20	83		LBX1850T	50	181.77	

Build an Ordering No.

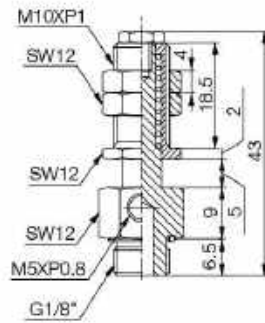
1. Level compensator	Description	Symbol
	Level compensator, 5mm stroke, Connection – Fitting G1/8" female	L1805F
	Level compensator, 5mm stroke, Connection – Fitting G1/8" male	L1805M
	Level compensator, 8mm stroke, Connection – Fitting G1/8" male	L1808W
	Level compensator, 10mm stroke, Connection – Fitting G1/8" male	L1810T
	Level compensator, 10mm stroke, Connection – Fitting G1/8" male	L1810TS
	Level compensator, 10mm stroke, Connection – Fitting M10 female	L1810TS-M10F
	Level compensator, 10mm stroke, Connection – Fitting G1/8" male	L1810TSE
	Level compensator, 15mm stroke, Connection – Fitting G1/8" male	L1815
	Level compensator, 15mm stroke, Connection – Fitting G1/8" male	L1815T
	Level compensator, 20mm stroke, Connection – Fitting G1/8" male	L1820T
	Level compensator, 20mm stroke, Connection – Fitting G1/8" male	L1820TS
	Level compensator, 30mm stroke, Connection – Fitting G1/8" male	L1830
	Level compensator, 30mm stroke, Connection – Fitting G1/8" male	L1830T
	Level compensator, 30mm stroke, Connection – Fitting G1/8" male	L1830TS
	Level compensator, 50mm stroke, Connection – Fitting G1/8" male	L1850
	Level compensator, 50mm stroke, Connection – Fitting G1/8" male	L1850T
	Level compensator, 50mm stroke, Connection – Fitting M10 female	L1850TS-M10F
	Level compensator, 70mm stroke, Connection – Fitting G1/8" male	L1870TS

Dimension

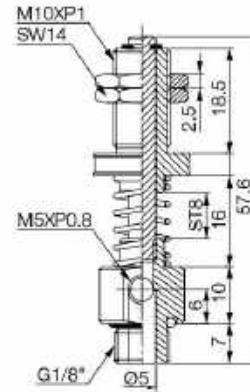
[Unit : mm]



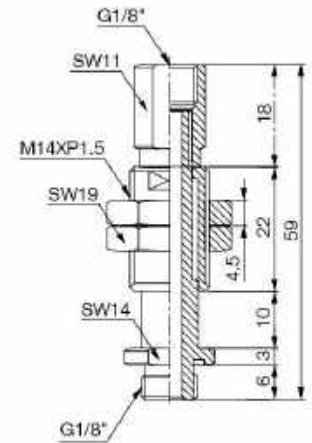
[L1805F]



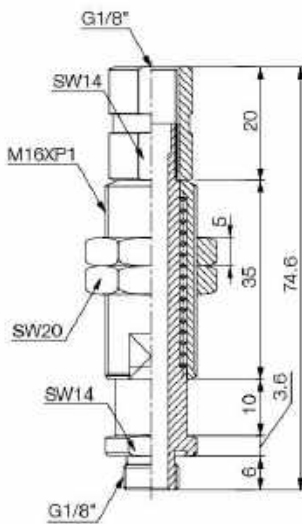
[L1805M]



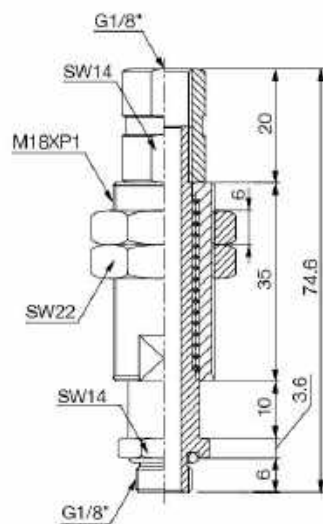
[L1808W]



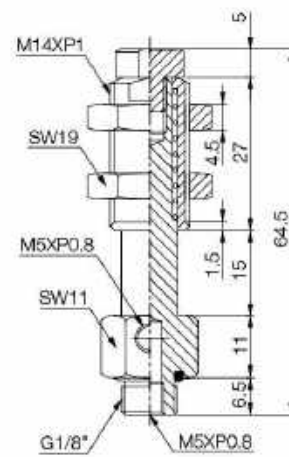
[L1810T]



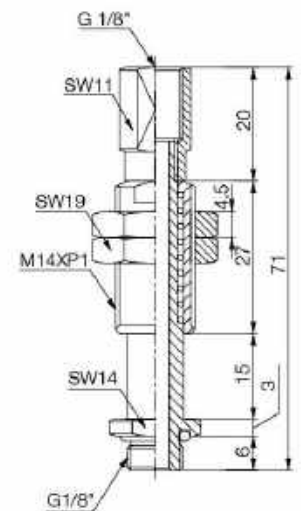
[L1810TS]



[L1810TSE]



[L1815]

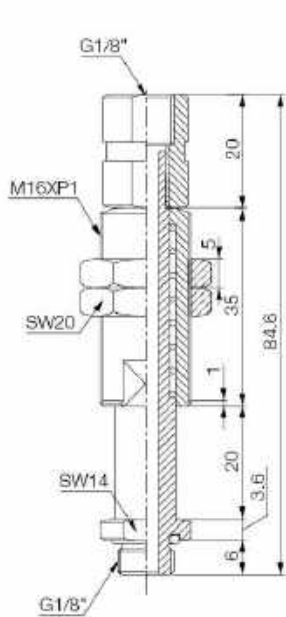


[L1815T]

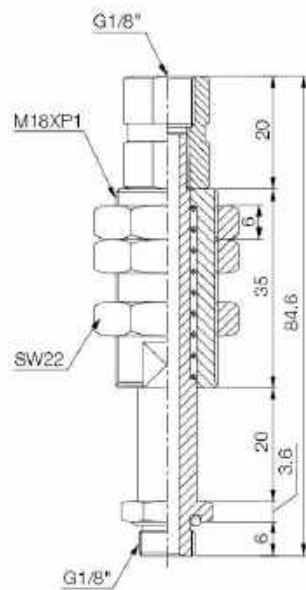
LEVEL COMPENSATORS

I Dimension

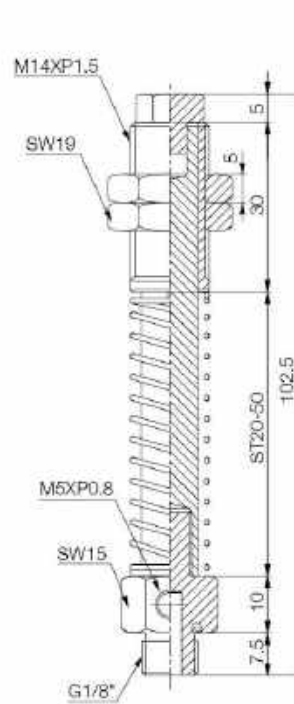
[Unit : mm]



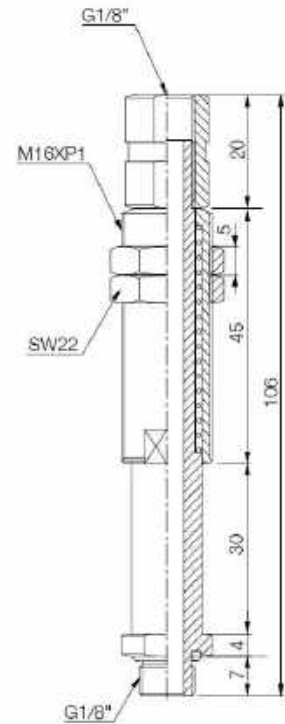
[L1820T]



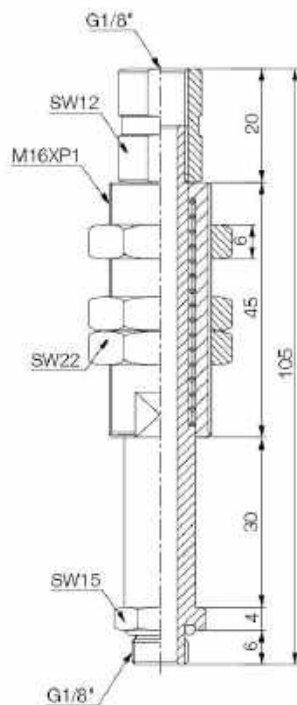
[L1820TS]



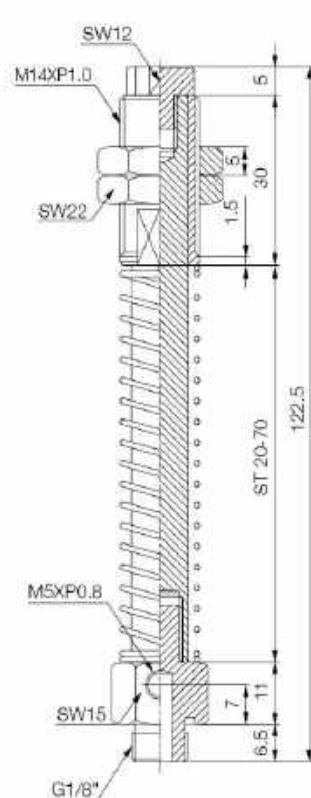
[L1830]



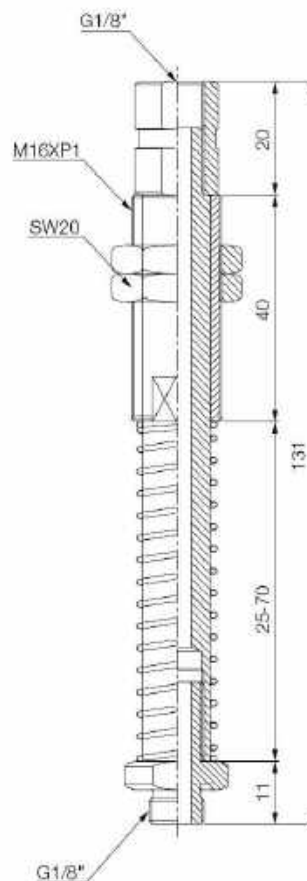
[L1830T]



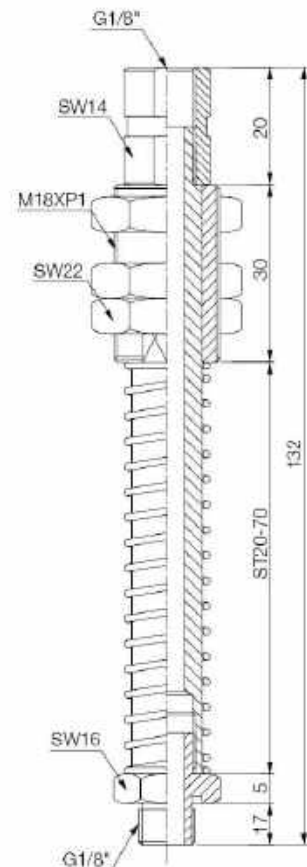
[L1830TS]



[L1850]

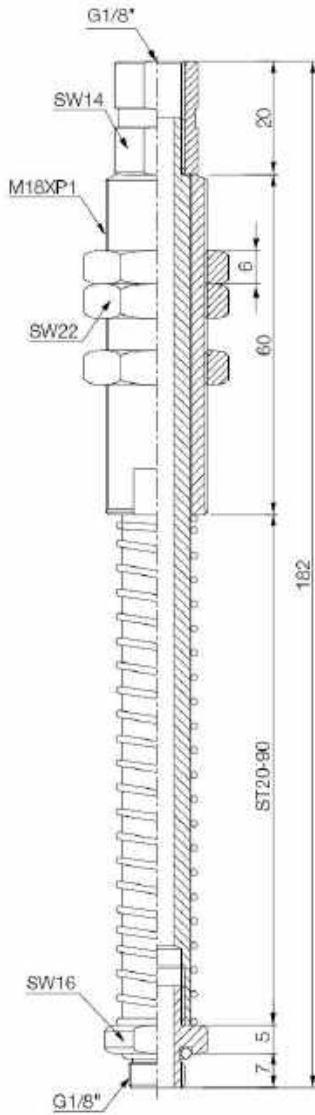


[L1850T]

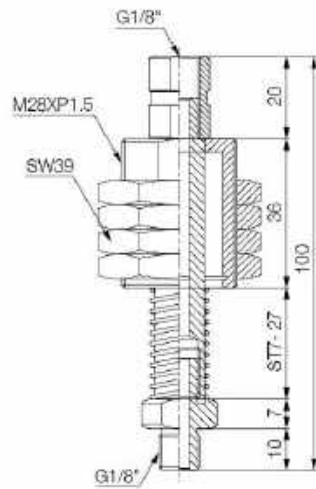


[L1850TS]

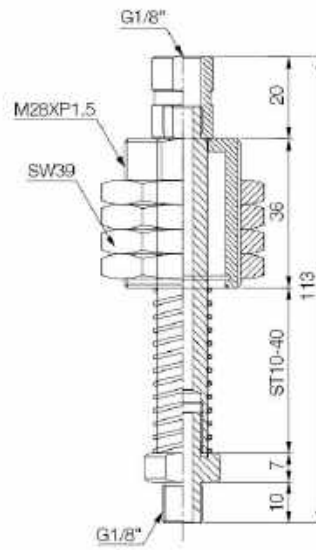




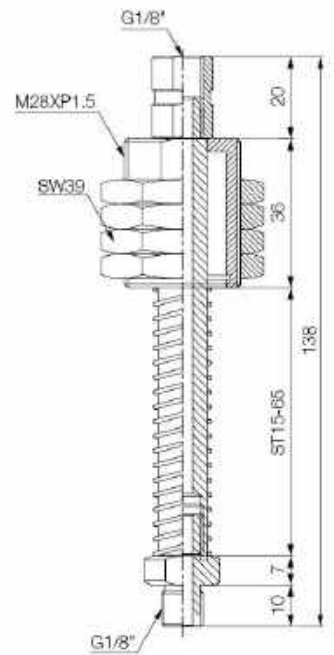
[L1870TS]



[LBX1820T]



[LBX1830T]



[LBX1850T]

L38 series

Features and Strengths

Reliable and precise pick up position for differences in height on the surface of material
Configurations with varying sizes of spring and stroke



Specifications

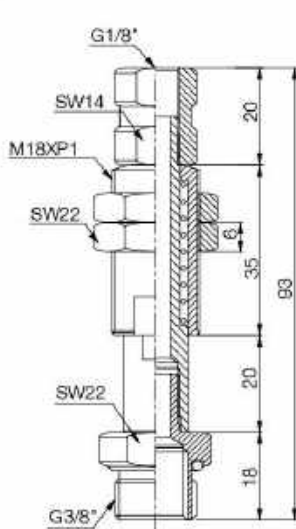
Model	Stroke (mm)	Weight (g)	Material
L3820TS	20	79.6	Al, SS, BS
L3830TS	30	85.36	Al, SS, BS
L3850LT	50	Al, SS, BS	

Build an Ordering No.

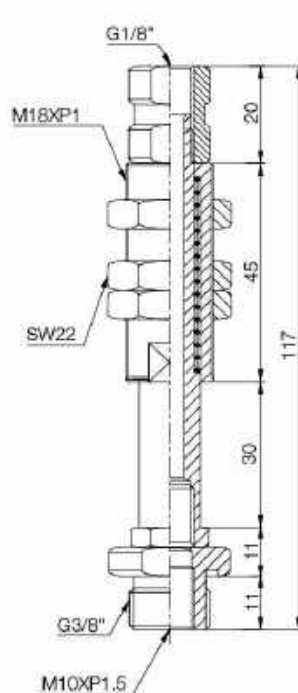
1. Level compensator	Description	Symbol
	Level compensator, 20mm stroke, Connection – Fitting G3/8" male	L3820TS
	Level compensator, 30mm stroke, Connection – Fitting G3/8" male	L3830TS
	Level compensator, 50mm stroke, Connection – Fitting G3/8" male	L3850LT

Dimension

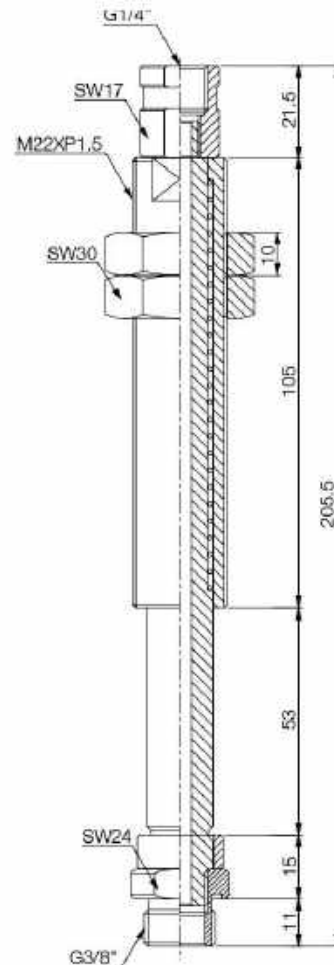
[Unit : mm]



[L3820TS]



[L3830TS]



[L3850LT]

LEVEL COMPENSATORS

L5 series

Features and Strengths

Reliable and precise pick up position for differences in height on the surface of material
Configurations with varying sizes of spring and stroke



Specifications

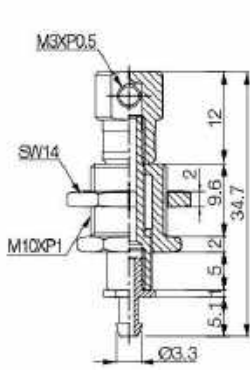
Model	Stroke (mm)	Weight (g)	Material	Model	Stroke (mm)	Weight (g)	Material
L505TU	5	13.32	Al, SS, BS	L510LTS	10	19.8	Al, SS, BS
L506TX	6	12		L510LTU	10	19.2	
L506TS	6	12		L510LTM	10	19	
L506TU	6	11		L510C	10	37	
L506TM	6	11		L510TL	10	35.52	
L506TX-SS	6	12.48		L510STX	10	16.06	
L506TS-SS	6	12.48		L510LTX-SS	10	20.28	
L506TU-SS	6	11.44		L510LTS-SS	10	17.68	
L506TM-SS	6	11.44		L510LTU-SS	10	17.03	
L507T	7	17		L510LTM-SS	10	19.76	
L508W	8	5.07		L515T	15	20	
L508FW	8	15.27		L515T-M4F	15	25.92	
L510	10	33		L520	20	36	
L510T	10	30		L520T	20	33	
L510LTX	10	19.5		L520TF	20	20	

Build an Ordering No.

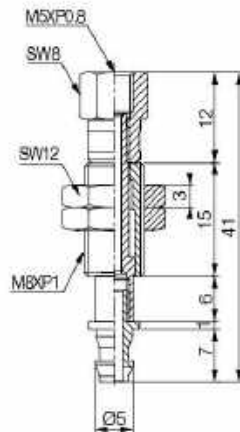
1. Level compensator	Description	Symbol
	Level compensator, 6mm stroke, Direct fitting connection for VB6X, VU1.5X, VU2X & VU4X	L506TX
	Level compensator, 8mm stroke, Direct fitting connection for VU10, VU15, VF15, VB10, VB12 & VB15	L506TS
	Level compensator, 6mm stroke, Direct fitting connection for VU4, VU6, VU8, VB5 & VB8	L506TU
	Level compensator, 6mm stroke, Direct fitting connection for VU2 & VU3	L506TM
	Level compensator, 6mm stroke, Stainless, Direct fitting connection for VB6X, VU1.5X, VU2X & VU4X	L506TX-SS
	Level compensator, 6mm stroke, Stainless, Direct fitting connection for VU10, VU15, VF15, VB10, VB12 & VB15	L506TS-SS
	Level compensator, 6mm stroke, Stainless, Direct fitting connection for VU4, VU6, VU8, VB5 & VB8	L506TU-SS
	Level compensator, 6mm stroke, Stainless, Direct fitting connection for VU2 & VU3	L506TM-SS
	Level compensator, 7mm stroke, Connection – Fitting M5 female	L507T
	Level compensator, 8mm stroke, Connection – Fitting M5 male	L508W
	Level compensator, 8mm stroke, Connection – Fitting M5 female	L508FW
	Level compensator, 10mm stroke, Connection – Fitting M5 male	L510
	Level compensator, 10mm stroke, Connection – Fitting M5 male	L510T
	Level compensator, 10mm stroke, Direct fitting connection for VB6X, VU1.5X, VU2X & VU4X	L510LTX
	Level compensator, 10mm stroke, Direct fitting connection for VU10, VU15, VF15, VB10, VB12 & VB15	L510LTS
	Level compensator, 10mm stroke, Direct fitting connection for VU4, VU6, VU8, VB5 & VB8	L510LTU
	Level compensator, 10mm stroke, Direct fitting connection for VU2 & VU3	L510LTM
	Level compensator, 10mm stroke, Connection – Fitting M5 female	L510C
	Level compensator, 10mm stroke, Stainless, Direct fitting connection for VB6X, VU1.5X, VU2X & VU4X	L510LTX-SS
	Level compensator, 10mm stroke, Stainless, Direct fitting connection for VU10, VU15, VF15, VB10, VB12 & VB15	L510LTS-SS
	Level compensator, 10mm stroke, Stainless, Direct fitting connection for VU4, VU6, VU8, VB5 & VB8	L510LTU-SS
	Level compensator, 10mm stroke, Stainless, Direct fitting connection for VU2 & VU3	L510LTM-SS
	Level compensator, 15mm stroke, Connection – Fitting M5 female	L515T
	Level compensator, 15mm stroke, Connection – Fitting M4 female	L515T-M4F
	Level compensator, 20mm stroke, Connection – Fitting M5 male	L520
	Level compensator, 20mm stroke, Connection – Fitting M5 male	L520T
	Level compensator, 20mm stroke, Connection – Fitting M5 female	L520TF

I Dimension

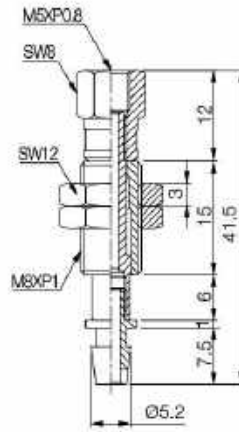
[Unit : mm]



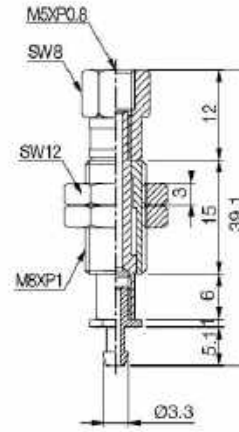
[L505TU]



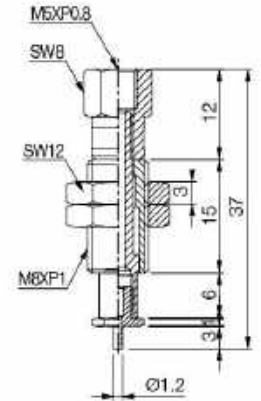
[L506TX & L506TX-SS]



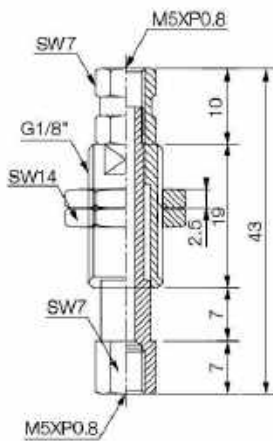
[L506TS & L506TS-SS]



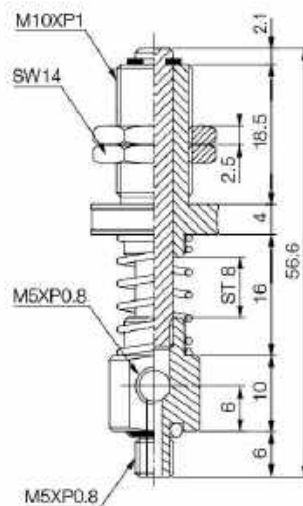
[L506TU & L506TU-SS]



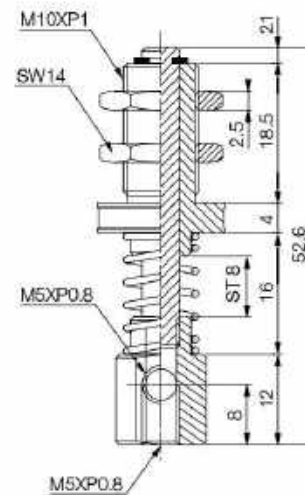
[L506TM & L506TM-SS]



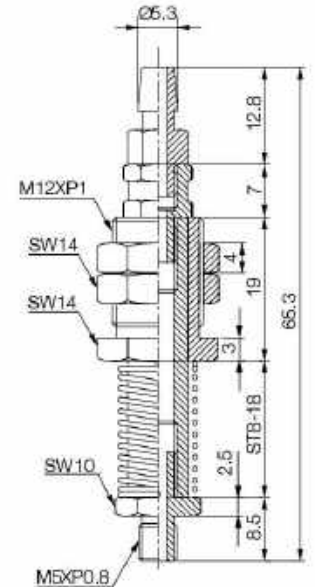
[L507T]



[L508W]



[L508FW]

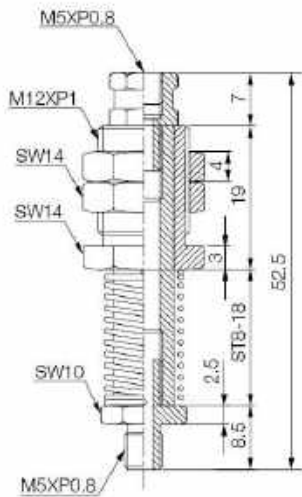


[L510]

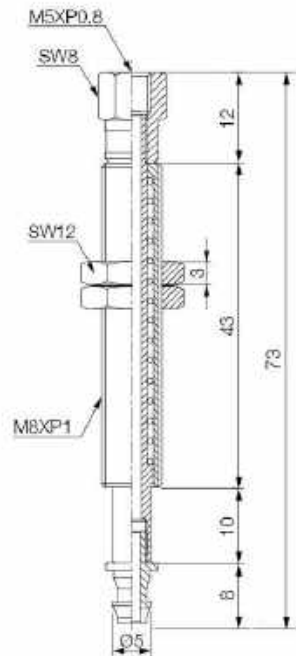
LEVEL COMPENSATORS

I Dimension

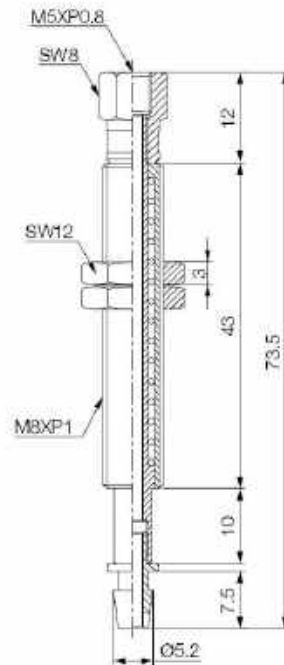
[Unit : mm]



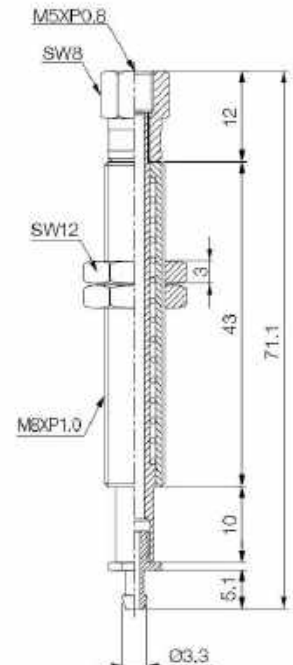
[L510T]



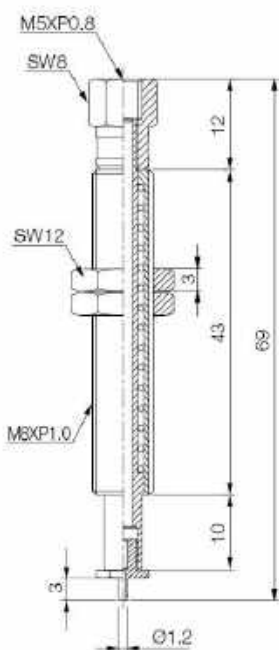
[L510LTX & L510LTX-SS]



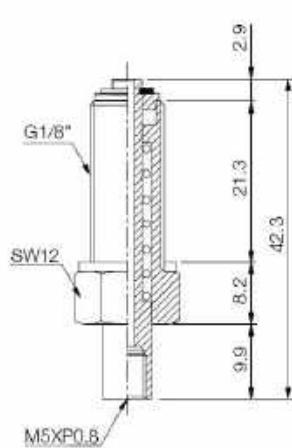
[L510LTS & L510LTS-SS]



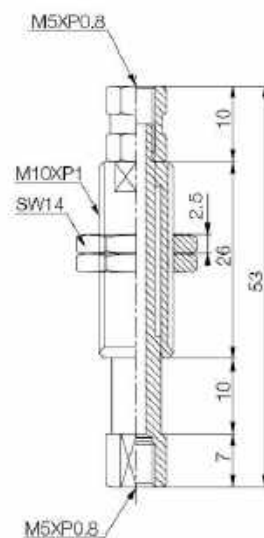
[L510LTU & L510LTU-SS]



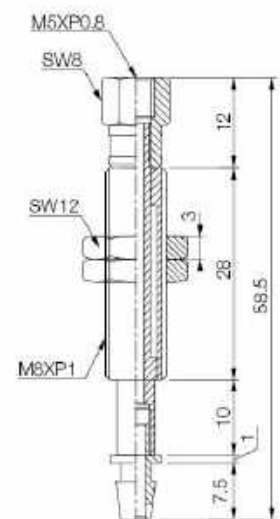
[L510LTM & L510LTM-SS]



[L510C]



[L510TL]

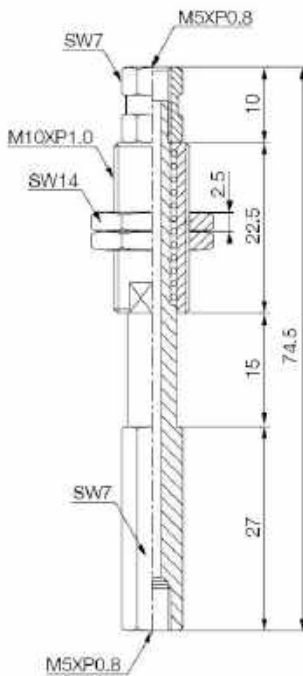


[L510STX]

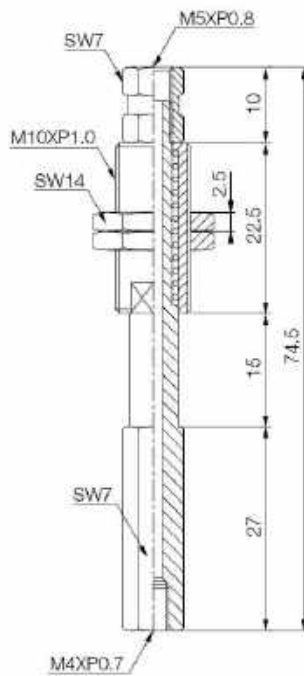


Dimension

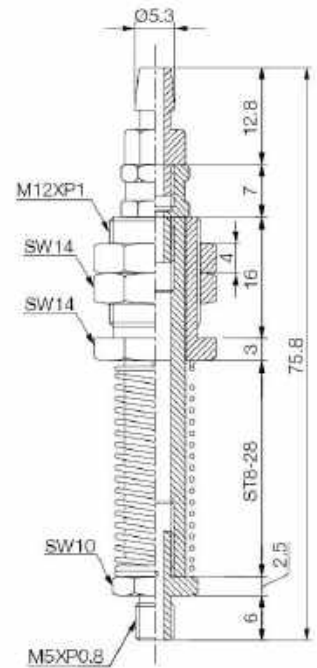
[Unit : mm]



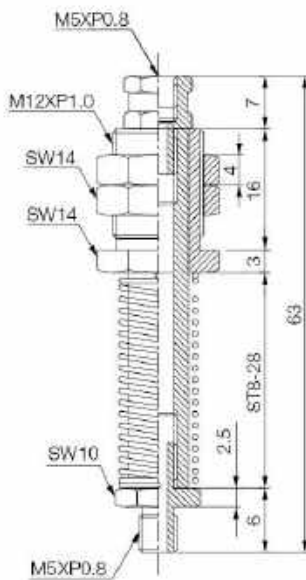
[L515T]



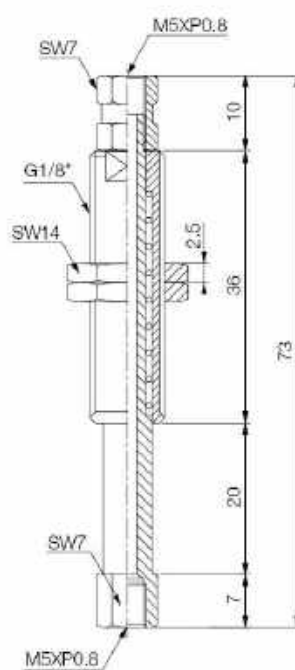
[L515T-M4F]



[L520]



[L520T]



[L520TF]

Non-rotating Level Compensator

Features and Strengths

Non-rotating structure

Reliable and precise pick up position for differences in height on the surface of material

Configurations with varying sizes of spring and stroke



Specifications

Model	Stroke (mm)	Weight (g)	Material
L503CN	3	9.94	Al, SS, BS
L503CN-SS	3	10.4	
L507TN	7	18	
L507TN-SS	7	14.53	
L507TNL2-SS	7	23.7	
L507TNL2	7	19.14	
L510CN	10	12.84	
L510CN2-SS	10	16.79	
L510CN3-SS	10	13.37	
L510TNX-SS	10	38.21	
L520TN-SS	20	40.53	
L523TN-SS	23	29.48	
L525TXN	25	20.7	
L525TSN	25	20.6	
L525TUN	25	20.3	
L525TMN	25	20.1	
L1820TN	20	54	
L1850TN	50	140	
L3820TSN	20	82.4	

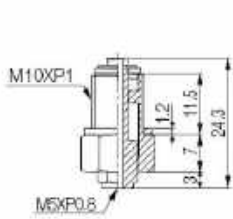
Build an Ordering No.

1. Level compensator	Description	Symbol
	Non-rotating level compensator, 3mm stroke, Connection – Fitting M5 female	L503CN
	Non-rotating level compensator, 3mm stroke, Stainless, Connection – Fitting M5 female	L503CN-SS
	Non-rotating level compensator, 7mm stroke, Connection – Fitting M5 female	L507TN
	Non-rotating level compensator, 7mm stroke, Stainless, Connection – Fitting M5 female	L507TN-SS
	Non-rotating level compensator, 7mm stroke, Stainless, Connection – Fitting M5 female	L507TNL2-SS
	Non-rotating level compensator, 7mm stroke, Connection – Fitting M5 female	L507TNL2
	Non-rotating level compensator, 10mm stroke, Connection – Fitting M5 female	L510CN
	Non-rotating level compensator, 10mm stroke, Stainless, Connection – Fitting M5 female	L510CN2-SS
	Non-rotating level compensator, 10mm stroke, Stainless, Connection – Fitting M5 female	L510CN3-SS
	Non-rotating level compensator, 10mm stroke, Stainless, Connection – Fitting M5 female	L510TNX-SS
	Non-rotating level compensator, 20mm stroke, Stainless, Connection – Fitting M5 female	L520TN-SS
	Non-rotating level compensator, 23mm stroke, Stainless, Connection – Fitting M5 female	L523TN-SS
	Non-rotating level compensator, 25mm stroke, Direct fitting connection for VB6X, VU1.5X, VU2X & VU4X	L525TXN
	Non-rotating level compensator, 25mm stroke, Direct fitting connection for VU10, VU15, VF15, VB10, VB12 & VB15	L525TSN
	Non-rotating level compensator, 25mm stroke, Direct fitting connection for VU4, VU6, VU8, VB5 & VB8	L525TUN
	Non-rotating level compensator, 25mm stroke, Direct fitting connection for VU2 & VU3	L525TMN
	Non-rotating level compensator, 20mm stroke, Connection – Fitting G1/8" male	L1820TN
	Non-rotating level compensator, 50mm stroke, Connection – Fitting G1/8" male	L1850TN
	Non-rotating level compensator, 20mm stroke, Connection – Fitting G3/8" male	L3820TSN

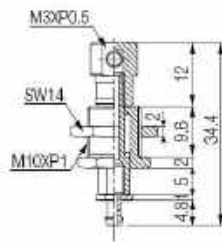
LEVEL COMPENSATORS

I Dimension

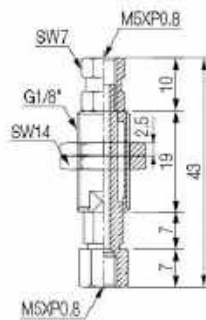
[Unit : mm]



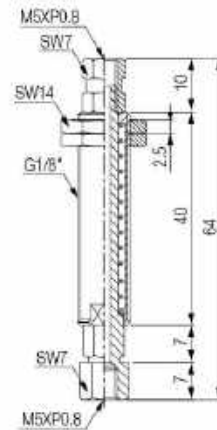
[L503CN-SS]



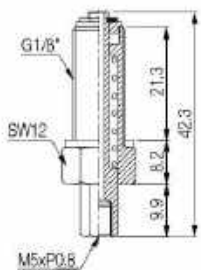
[L505TUN]



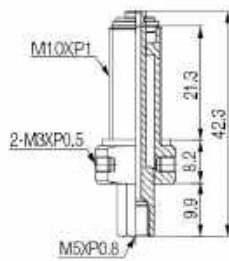
[L507TN]



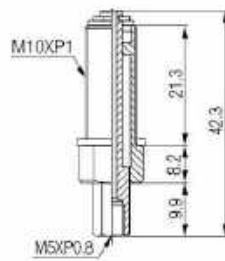
[L507TNL2-SS]



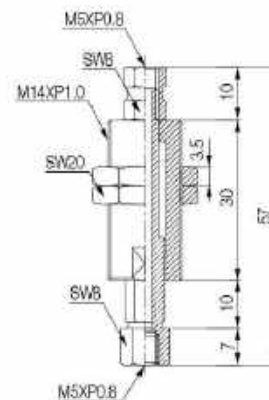
[L510CN]



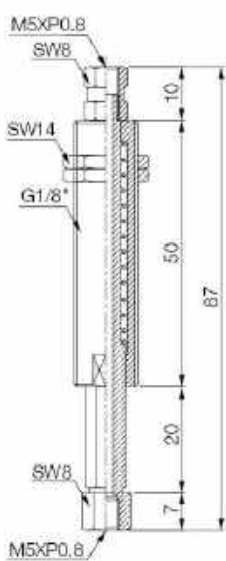
[L510CN2-SS]



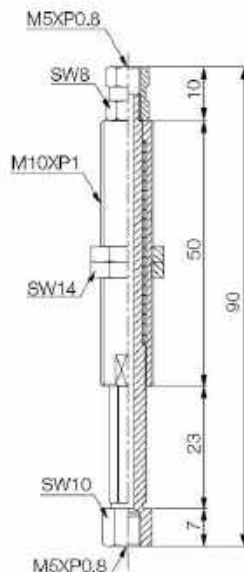
[L510CN3-SS]



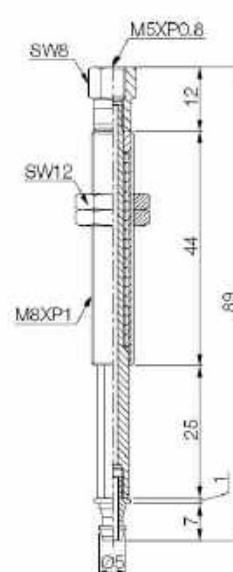
[L510TNX-SS]



[L520TN-SS]



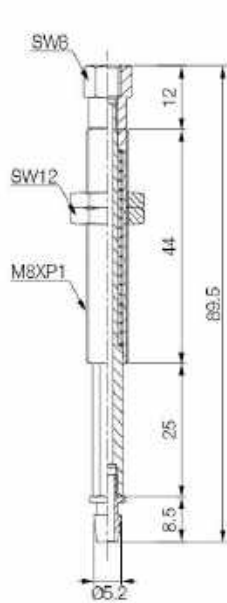
[L523TN-SS]



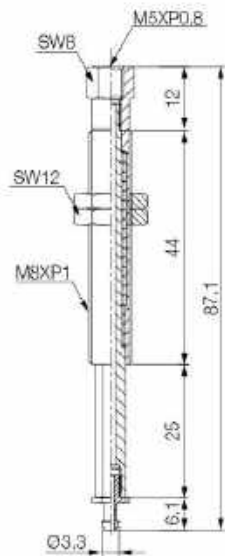
[L525TXN]

Dimension

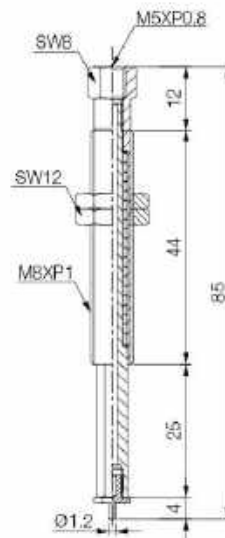
[Unit : mm]



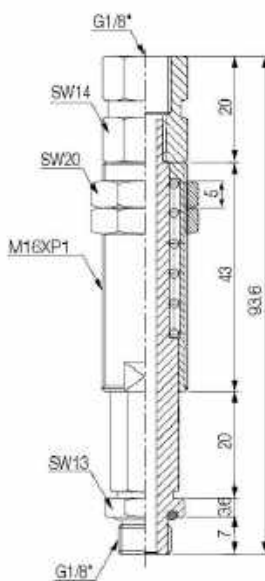
[L525TSN]



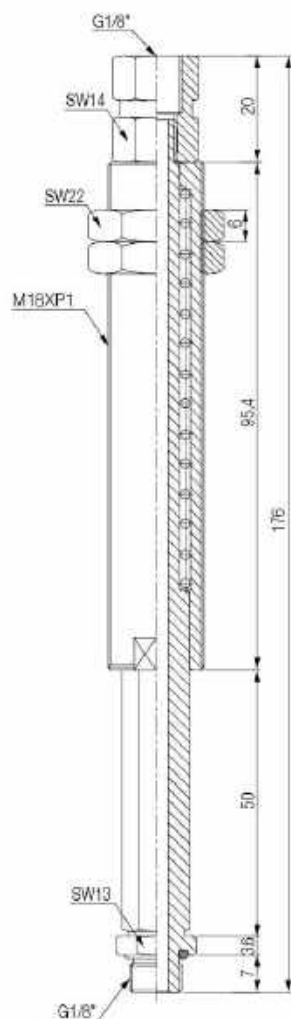
[L525TUN]



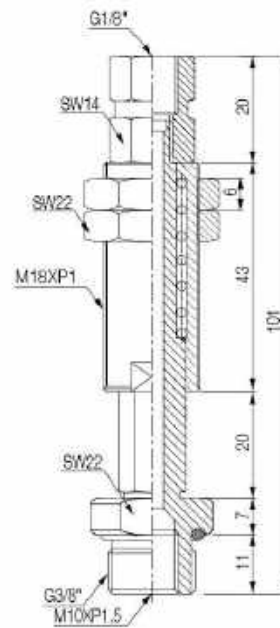
[L525TMN]



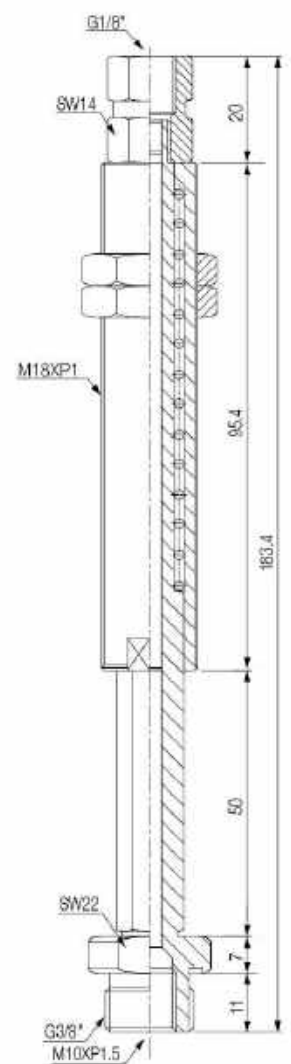
[L1820TN]



[L1850TN]



[L3820TSN]



[L3850TSN]